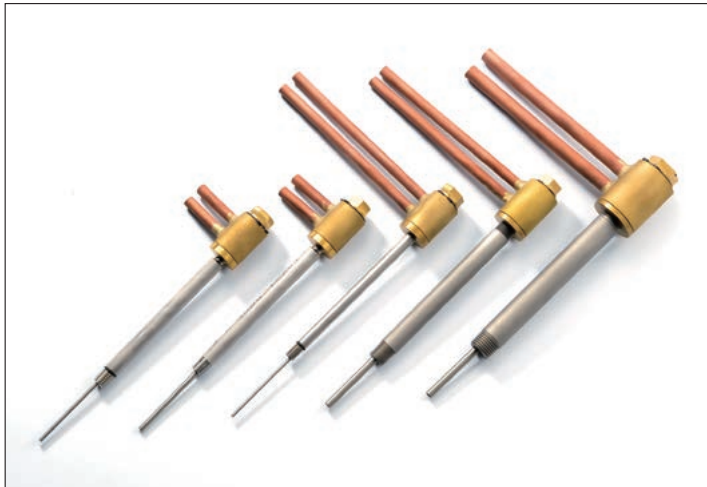


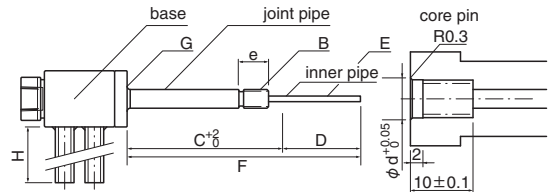
DYNACOOOL RT



DIECASTING DIE PARTS



You can choose dimensions as needed
 Copper pipes can be formed in any direction.
 Any size of pipe will cool your any kinds of pins.
 We can produce any size of pipes for any size pin!
 You can take inside pipe out when detent plug is taken off!



Feature

- material base : BRASS
- fitting : SUS304
- bubbler : SUS304
- Max pressure : 1.5Mpa
- O ring : JIS 4 Type D (heat resistant 200°C)

LIST A

Unit : mm

type	size	screw type joint pipe						O-ring type joint pipe
		size	O.D.(φ)	bore(φ)	(e)	length of screw	φd	O-ring
RT (revolving)	①	M6	6.0	3.0	10	8	6.2	SS4.5
	②	M8	8.0	4.0	10	8	8.2	SS6.5
	③	Rc1/16	8.0	4.0	tolerance area 4	7	—	—
	④	Rc1/8	10.5	5.7	tolerance area 4	10	—	—
	⑤	Rc1/4	13.8	7.8	tolerance area 6	10	—	—

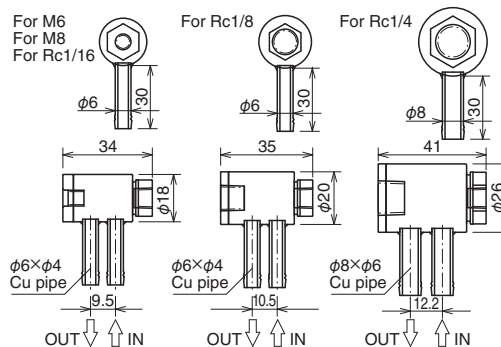
LIST B

Unit : mm

inner pipe		
size	O.D.(φ)	bore(φ)
①	1.0	0.75
②	1.2	0.9
③	1.5	1.2
④	1.8	1.4
⑤	2.0	1.6
⑥	2.2	1.8
⑦	2.4	2.0
⑧	3.0	2.6
⑨	4.2	3.8

RT base (Revolving Base)

The body is brass.
 Nipple is Cu.
 Inner & Outer pipes are SUS 304
 Can change the direction of hose.



Order system

Please choose size and sign for A ~ H.

Order Number DC - A - B - C - D - E - F - G - H set size = () mm

- | | | |
|--------------------------------------|-------|--|
| A : Base type | | Please choose RT |
| B : Tap size | | Please choose type from LIST A |
| C : Length of joint pipe | | Please write optional size. |
| D : Length of inner pipe | | Please write optional size. |
| E : Diameter of inner pipe | | Please choose O.D. from LIST B |
| F : Total length (Length under neck) | | Please write size of C + D. |
| G : Weld | | Please write No weld = 0 Need weld = 1 |
| H : Choose the fitting | | Length of Cu pipe Normal 30 mm = 0 Set size () mm = 1 |

※ Not to accidentally off a base part from bubbler, we recommend to weld. ※ No price change between "No weld" and "Need weld". ※ Item's spec will be changed without notice.

DYNACOOOL RS



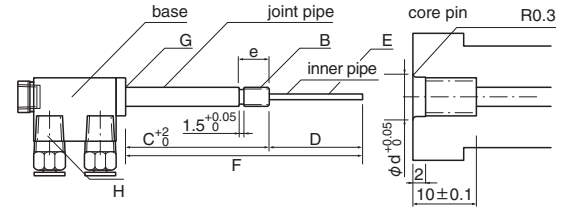
DIECASTING DIE PARTS



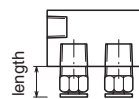
Our narrowest pipes can cool any pins.

We can produce any size of pipes for any pins!

You can take inside pipe out when detent plug is taken off!



Size of one touch fitting



	length from base
φ4 joint	about 11.0
φ6 joint	about 13.0

Unit : mm

※ This fitting made by PISCO

Feature

We can ship with one touch tube fitting.

- material base : BRASS, SUS303
- material fitting : SUS304
- material bubbler : SUS304
- Max pressure : 1.5Mpa
- O ring : JIS 4 Type D (heat resistant 200°C)

LIST A

Unit : mm

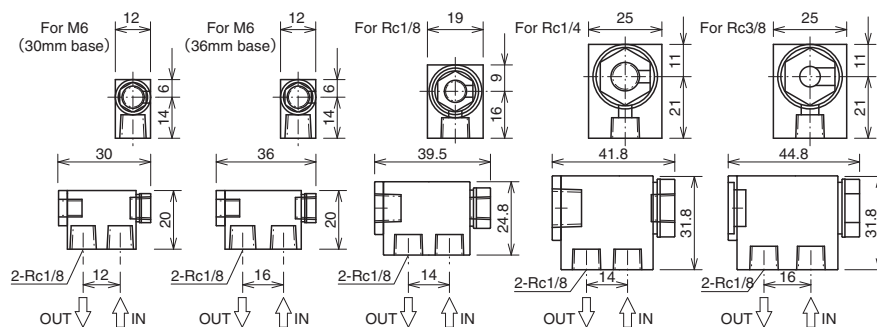
type	size	screw type joint pipe					O-ring type joint pipe	
		size	O.D.(φ)	bore(φ)	(e)	length of screw	φ d	O-ring
RS (revolving square)	①	M6 (30mm base)	6.0	3.0	10	8	6.2	SS4.5
	⑩	M6 (36mm base)	6.0	3.0	10	8	6.2	SS4.5
	④	Rc1/8	10.5	5.7	tolerance area 4	10	—	—
	⑤	Rc1/4	13.8	7.8	tolerance area 6	10	—	—
	⑨	Rc3/8	17.3	10.9	tolerance area 7	14	—	—

LIST B

Unit : mm

inner pipe		
size	O.D.(φ)	bore(φ)
①	1.0	0.75
②	1.2	0.9
③	1.5	1.2
④	1.8	1.4
⑤	2.0	1.6
⑥	2.2	1.8
⑦	2.4	2.0
⑧	3.0	2.6
⑨	4.2	3.8
⑩	8.0	6.0

RS base (Revolving Square Base) Body is brass. Square base is stainless. Can change the direction of hose.



※ Regarding RS M6, Please choose size from ①~⑤.

※ Regarding RS Rc3/8, This is only form φ 8 × bore φ 6.

Order system

Please choose size and sign for A ~ H.

Order Number DC - A - B - C - D - E - F - G - H set size = () mm

- A : Base type Please choose RS
- B : Tap size Please choose sign from LIST A
- C : Length of joint pipe Please write optional size.
- D : Length of inner pipe Please write optional size.
- E : Diameter of inner pipe Please choose O.D. from LIST B
- F : Total length (Length under neck) Please write size of C + D.
- G : Weld Please write No weld = 0 Need weld = 1
- H : Choose the fitting One touch joint : Please write No need = 0 for φ4 fitting = 1 Need for φ6 fitting = 2